



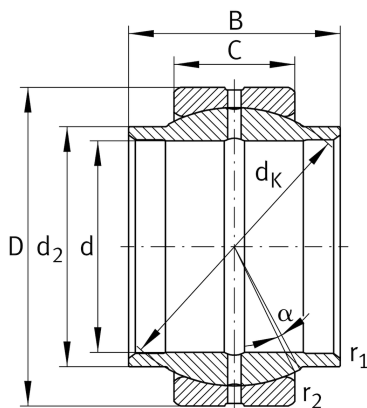
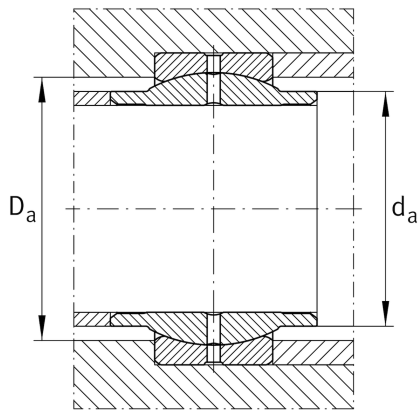
## GE25-LO

### Spherical plain bearing

Schaeffler ID:  
0066528320000

Radial spherical plain bearing, requiring maintenance, sliding contact surface: steel/steel, DIN ISO 12240-1, dimension series W, cylindrical extensions on inner ring, open design

### Technical information



### Main Dimensions & Performance Data

|          |           |                                   |
|----------|-----------|-----------------------------------|
| d        | 25 mm     | Bore diameter bearing             |
| D        | 42 mm     | Outside diameter bearing          |
| B        | 25 mm     | Width Inner ring                  |
| $C_r$    | 48,300 N  | Basic dynamic load rating, radial |
| $C_{0r}$ | 241,000 N | Basic static load rating, radial  |
|          | 0.116 kg  | Weight                            |

### Dimensions

|             |               |  |
|-------------|---------------|--|
| C           | 16 mm         | Width Outer ring                       |
| $d_K$       | 35.5 mm       | Ball diameter                          |
| $\alpha$    | 4 °           | Tilt angle                             |
| $r_{1smin}$ | 0.6 mm        | Edge Spacing                           |
| $r_{2smin}$ | 0.6 mm        | Edge Spacing                           |
| $d_{OT}$    | 0.021 mm      | Bore diameter bearing, upper tolerance |
| $d_{UT}$    | 0 mm          | Bore diameter bearing, lower tolerance |
| $D_{OT}$    | 0 mm          | Outside diameter, upper tolerance      |
| $D_{UT}$    | -0.011 mm     | Outside diameter, lower tolerance      |
| $B_{OT}$    | 0 mm          | Width inner ring, upper tolerance      |
| $G_r$       | 0,05 - 0,1 mm | Radial Clearance                       |
| $B_{UT}$    | -0.21 mm      | Width inner ring, lower tolerance      |
| $C_{OT}$    | 0 mm          | Width outer ring, upper tolerance      |

### Mounting dimensions

|             |       |                               |
|-------------|-------|-------------------------------|
| $d_{a max}$ | 30 mm | Connection measure Inner ring |
| $D_{a min}$ | 33 mm | Housing Connection Diameter   |

### Temperature range

|           |        |                            |
|-----------|--------|----------------------------|
| $T_{min}$ | -60 °C | Operating temperature min. |
| $T_{max}$ | 200 °C | Operating temperature max. |